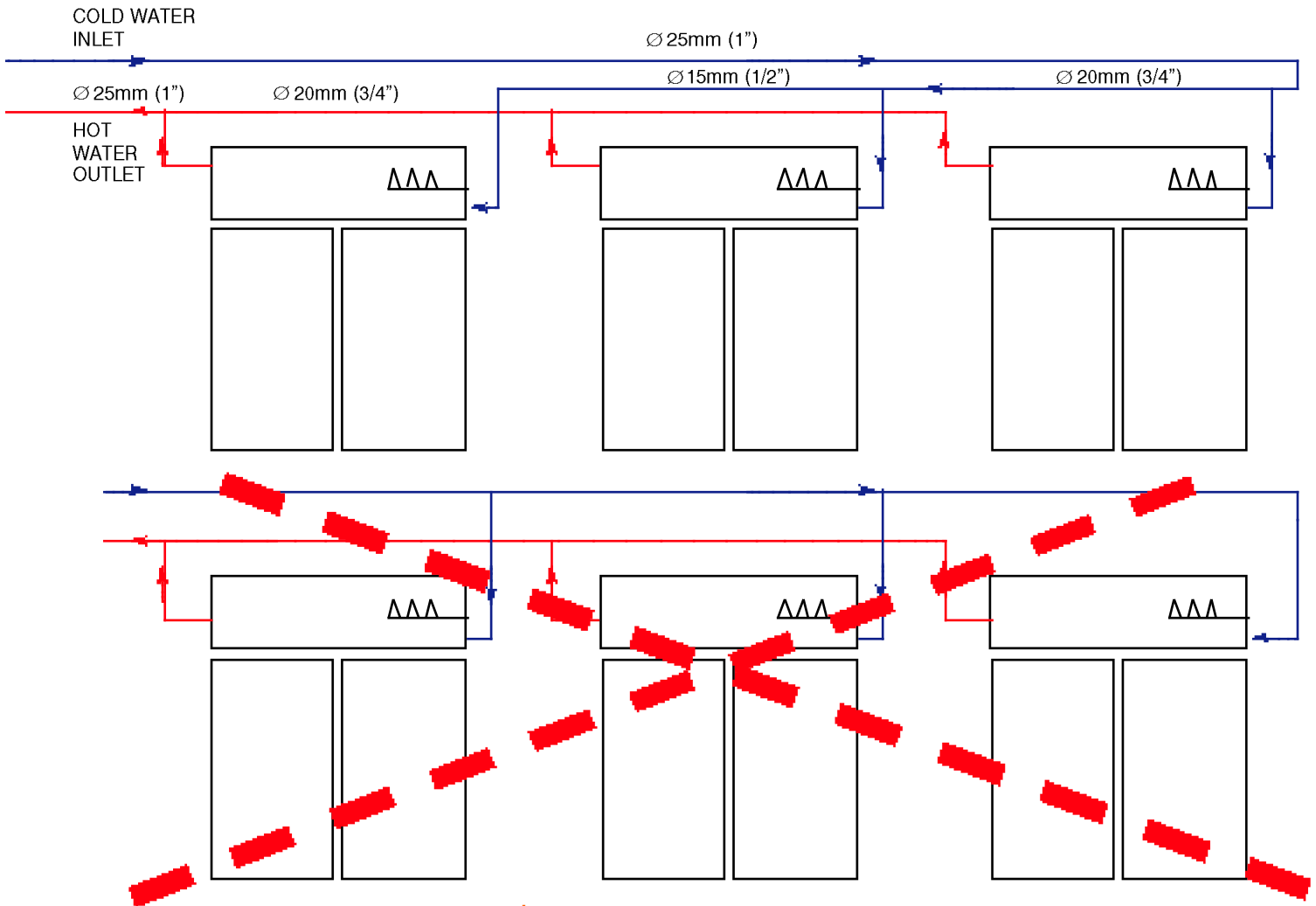


PARALLEL CONNECTION OF MULTIPLE SYSTEMS



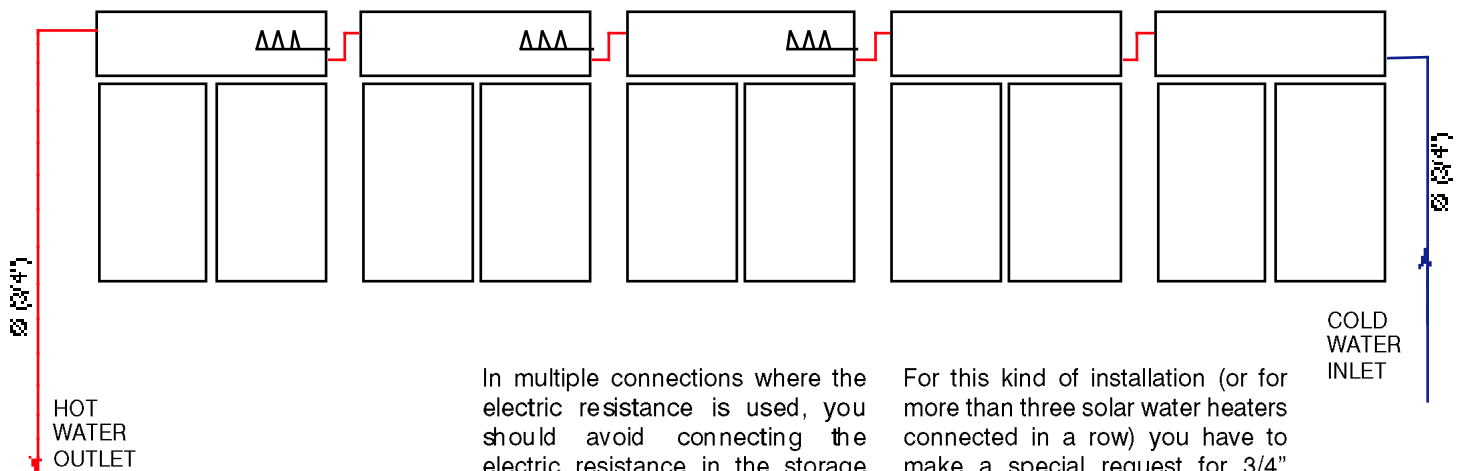
notes:

1. All the branch lines to the storage tanks must have same length and geometry (diameter of tube, curves... etc)
2. Pressure drop (Δp) must be almost the same in hot and cold-water tubes

SERIAL CONNECTION OF MULTIPLE SYSTEMS

(It is recommended the installation of maximum five appliances)

All the piping in 20 mm diameter

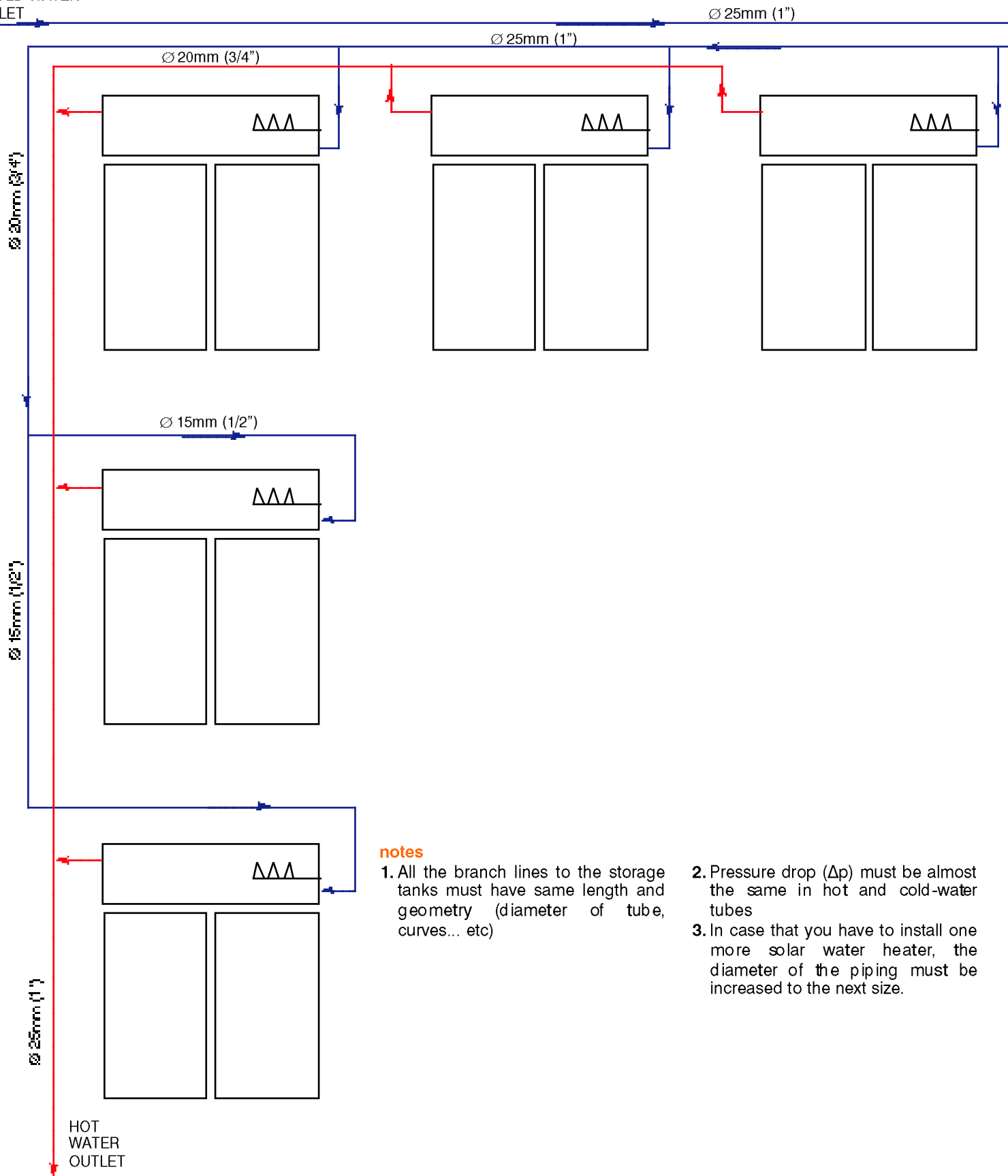


In multiple connections where the electric resistance is used, you should avoid connecting the electric resistance in the storage tanks of the first two appliances. These appliances will be used to pre-heat the water for the consumption.

For this kind of installation (or for more than three solar water heaters connected in a row) you have to make a special request for 3/4" inlets-outlets pipes on the storage tank. We recommend you to use a maximum of five appliances.

TYPICAL INSTALLATION OF MULTIPLE UNITS

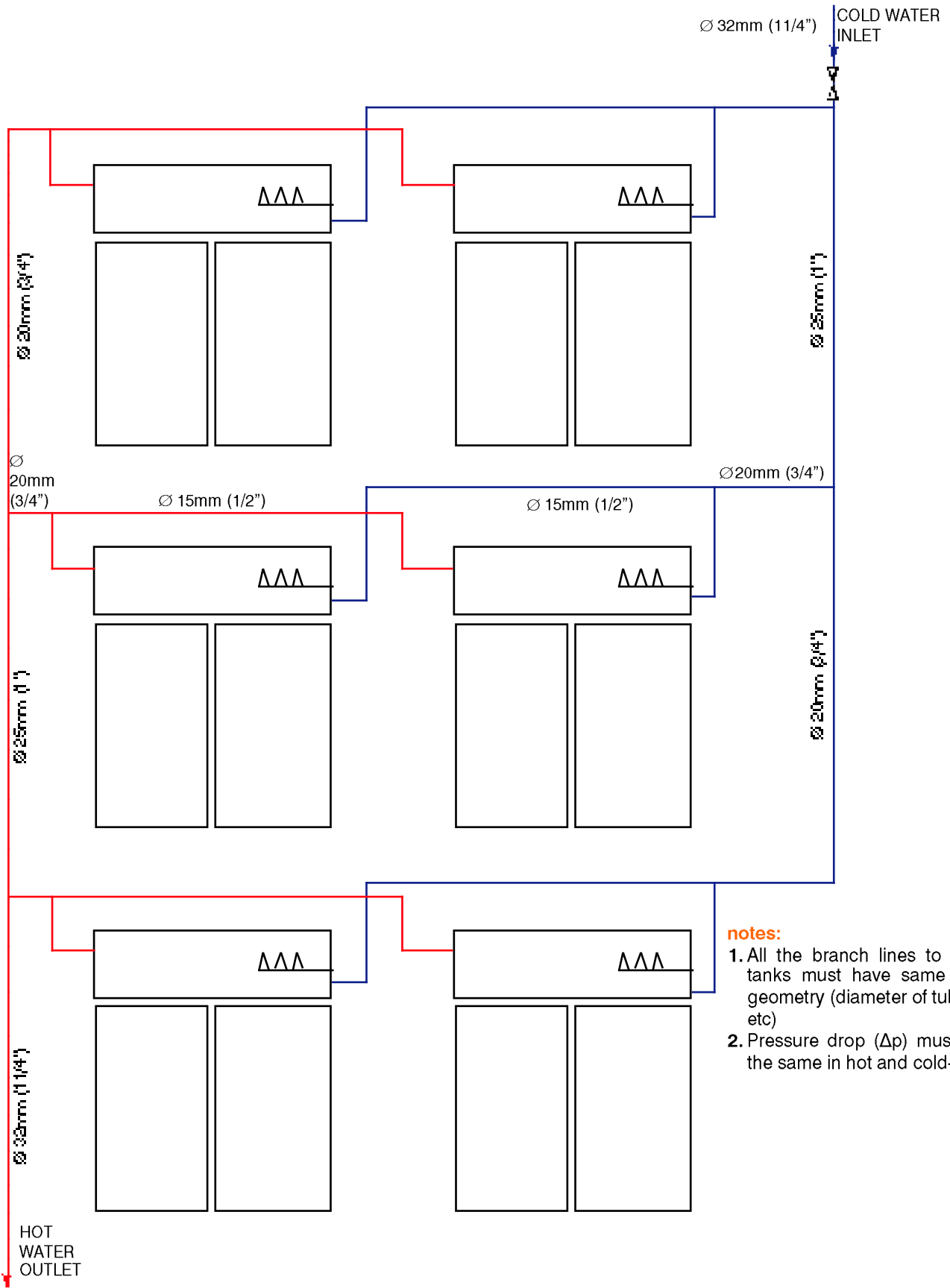
COLD WATER INLET



notes

1. All the branch lines to the storage tanks must have same length and geometry (diameter of tube, curves... etc)
2. Pressure drop (Δp) must be almost the same in hot and cold-water tubes
3. In case that you have to install one more solar water heater, the diameter of the piping must be increased to the next size.

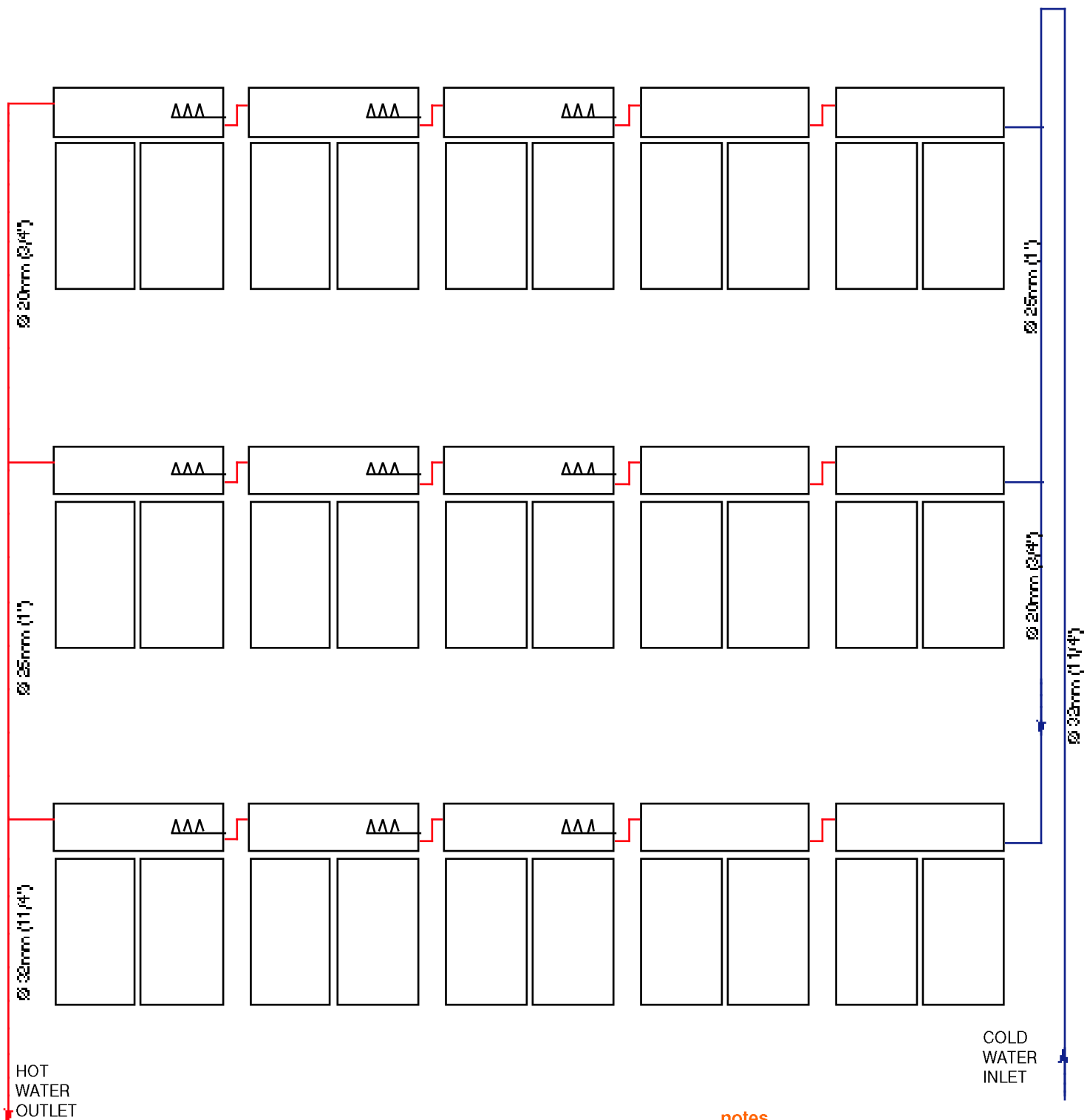
TYPICAL INSTALLATION OF MULTIPLE UNITS - PARALLEL CONNECTION



notes:

1. All the branch lines to the storage tanks must have same length and geometry (diameter of tube, curves... etc)
2. Pressure drop (Δp) must be almost the same in hot and cold-water tubes

PARALLEL CONNECTION OF MULTIPLE SYSTEMS IN SERIES



notes

1. All the piping in 20 mm diameter. For this kind of installation (or for more than three solar water heaters connected in a row) you have to make a special request for 3/4" inlets/outlets pipes on the storage tank.
2. We recommend you to use a maximum of five appliances in a row.